

OSIMESS Precision Bore Gauge **OS/OSH/OSS**

FOR SMALL DIAMETERS 1,0 - 20 MM

STANDARD DESIGN OS COMPLETE SETS

Delivery OS:

hardchromed design from 4,5 mm; tungsten carbide tipped for 1-4 mm, wedge-shaped measuring needle generally tungsten carbide; holder of your choice, in wooden box, without setting rings, without dial gauge. separate probes see pages 19 and 20.

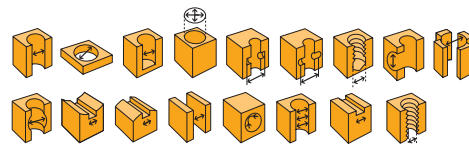
DESIGN OSH COMPLETE SETS

as described for OS, but with tungsten carbide tipped probes

DESIGN OSS COMPLETE SETS

as described for OS, but with probes for blind bores from \varnothing 1,75 mm

SERIES 625-628



OSIMESS - various probes

OSIMESS		OS		OSH		OSS		
application range [mm]		number of probes	holder without retraction	holder with retraction	holder without retraction	holder with retraction	holder without retraction	holder with retraction
<i>nominal range</i>	<i>effective range</i>							
1,00 - 1,40	0,95 - 1,55	5	-	-	626 00200	626 00201		-
1,75 - 4,00	1,50 - 4,20	10	-	-	626 00202	626 00203		626 00003
1,00 - 4,00	0,95 - 4,20	15	-	-	626 00000	626 00001		-
4,50 - 7,50	4,15 - 7,80	7	627 00200	627 00201	627 00202	627 00203	on inquiry	627 00204
8,00 - 12,00	7,70 - 12,50	6	627 00300	627 00301	627 00302	627 00303		627 00304
4,50 - 12,00	4,15 - 12,50	13	627 00000	627 00001	627 00004	627 00005		627 00003
13,00 - 20,00	12,20 - 20,60	8	628 00000	628 00001	628 00004	628 00005		628 00003

OSIMESS Precision Bore Gauge **OS**

HOLDER

Holder with retraction especially recommended for probes up to 4 mm, for blind bore probes and for the maximum protection of the probes.

HOLDER

design	Code
holder without retraction for 1,0 - 20,0 mm	625 00009
holder with retraction for 1,0 - 20,0 mm	626 00010

ACCESSORIES

	measuring range [mm]	Code
clamp with depth stop	1,0 - 4,0	626 00005
	4,5 - 9,0	627 00007
	10,0 - 20,0	628 00007
angle piece 90°	1,0 - 20,0	625 00008
measuring depth extension from \varnothing 10 mm	50 mm long	625 00101
	100 mm long	626 00102
	250 mm long	627 00103

OS-probe with special length for $\varnothing < 10$ mm on inquiry

SERIES 625-628



angle piece 90° with OSIMESS-holder

OSIMESS Measuring Needles

MEASURING NEEDLES

measuring needles	Code
1,0 - 1,4 OS-OSH	626 00067
1,75 - 2,25 OS-OSH-OSS	626 00068
2,5 - 4,0 OS-OSH-OSS	626 00069
4,5 - 9 mm OS - OSH	627 00095
4,5 - 9 mm OSS	627 00096
10 - 20 mm OS - OSH	628 00055
10 - 20 mm OSS	628 00056



OSIMESS probe
blind bore design OSS (top)
OSIMESS probe
standard design OS (bottom)



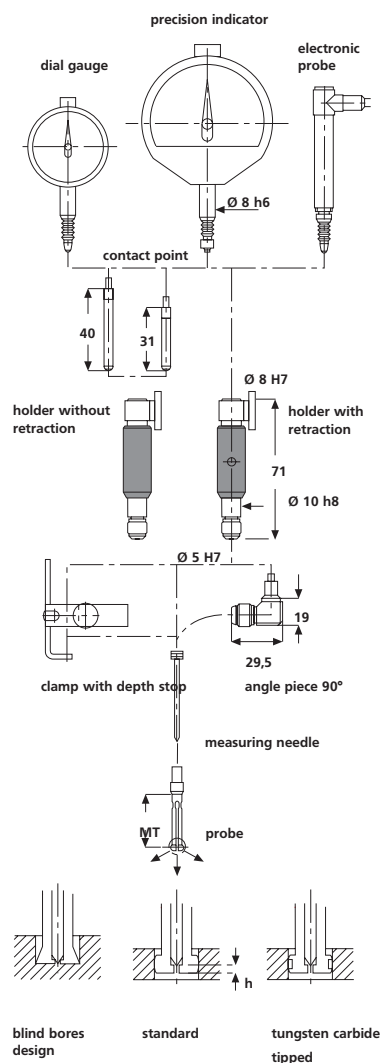
OSIMESS in wooden box

setting rings set
626 00204
626 00205
626 00004
627 00205
627 00305
627 00006
628 00006

OSIMESS-Spare Parts

PROBES 1,0 - 4,0 MM

nominal dimension [mm]	measuring range [mm]	probe OSH Code	probe OSS Code	setting ring Code
1,0	0,95 - 1,15	626 00012	-	626 00052
1,1	1,07 - 1,25	626 00013	-	626 00053
1,2	1,17 - 1,35	626 00014	-	626 00054
1,3	1,27 - 1,45	626 00015	-	626 00055
1,4	1,37 - 1,55	626 00016	-	626 00056
1,75	1,50 - 1,90	626 00017	626 00042	626 00057
2,0	1,80 - 2,20	626 00018	626 00043	626 00058
2,25	2,05 - 2,45	626 00019	626 00044	626 00059
2,5	2,30 - 2,70	626 00020	626 00045	626 00060
2,75	2,55 - 2,95	626 00021	626 00046	626 00061
3,0	2,80 - 3,20	626 00022	626 00047	626 00062
3,25	3,05 - 3,45	626 00023	626 00048	626 00063
3,5	3,30 - 3,70	626 00024	626 00049	626 00064
3,75	3,55 - 3,95	626 00025	626 00050	626 00065
4,0	3,80 - 4,20	626 00026	626 00051	626 00066



OSIMESS Precision Bore Gauge ^{OS}

SERIES 625-628

PROBES 4,5-9,0 MM

nominal dimension [mm]	measuring range [mm]	probe OS Code	probe OSH Code	probe OSS Code	setting ring Code
4,5	4,15 - 4,80	627 00015	627 00063	627 00047	627 00079
5,0	4,70 - 5,30	627 00016	627 00064	627 00048	627 00080
5,5	5,20 - 5,80	627 00017	627 00065	627 00049	627 00081
6,0	5,70 - 6,30	627 00018	627 00066	627 00050	627 00082
6,5	6,20 - 6,80	627 00019	627 00067	627 00051	627 00083
7,0	6,70 - 7,30	627 00020	627 00068	627 00052	627 00084
7,5	7,20 - 7,80	627 00021	627 00069	627 00053	627 00085
8,0	7,70 - 8,30	627 00022	627 00070	627 00054	627 00086
8,5	8,20 - 8,80	627 00023	627 00071	627 00055	627 00087
9,0	8,70 - 9,30	627 00024	627 00072	627 00056	627 00088



OSIMESS standard probe OS

PROBES 10,0-20,0 MM

nominal dimension [mm]	measuring range [mm]	probe OS Code	probe OSH Code	probe OSS Code	setting ring Code
10	9,2 - 10,5	627 00106	627 00112	627 00109	627 00090
11	10,2 - 11,5	627 00107	627 00113	627 00110	627 00092
12	11,2 - 12,5	627 00108	627 00114	627 00111	627 00094
13	12,2 - 13,5	628 00015	628 00039	628 00031	628 00047
14	13,4 - 14,7	628 00016	628 00040	628 00032	628 00048
15	14,4 - 15,7	628 00017	628 00041	628 00033	628 00049
16	15,4 - 16,7	628 00018	628 00042	628 00034	628 00050
17	16,4 - 17,7	628 00019	628 00043	628 00035	628 00051
18	17,4 - 18,7	628 00020	628 00044	628 00036	628 00052
19	18,4 - 19,7	628 00021	628 00045	628 00037	628 00053
20	19,4 - 20,7	628 00022	628 00046	628 00038	628 00054
> 20 - 40	standard and blind bores on inquiry				



OSF special probe for keyway

SPECIAL PROBES OSF FOR MEASURING GROOVES AND RECESSES

Examples OSF:

- OSF for plane-parallel distances, e.g. keyways
- OSR convex for radial grooves, OSR concave for wood ruff keys
- OSB for axial or special grooves

Please let us know the exact nominal dimension with tolerance with your order.

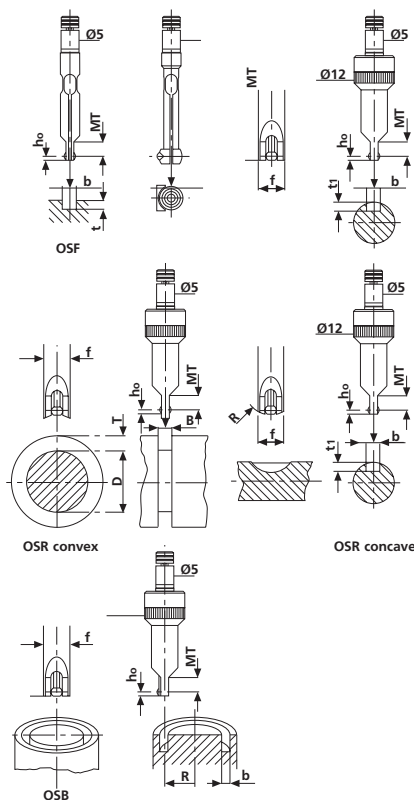
For OSR and OSB please indicate additionally the radius. Example:

special probe OSF No. 626 00035 3,0 H7

probe OSF No. 626 00035 3,0 + 0,15 - 0,01

OSIMESS OSF

special probe OSF with nominal dimension [mm] between	probe Code	measuring needle Code
1,0 - 1,4	626 00027	626 00067
1,75 - 2,25	626 00032	626 00068
2,5 - 4,0	626 00035	626 00069
4,5 - 9,0	627 00031	627 00105
10,0 - 20,0	627 00042	628 00064



special probes OSIMESS OSF

Measuring Stand OSM **OSM 5/OSM 6**

SERIES 629

FOR THE SERIES CONTROL OF SMALL WORKPIECES

MEASURING STAND OSM 5

Height continuously adjustable up to 250 mm, max. working stroke 90 mm. With depth measuring device and clamping device for second indicating unit. Can also be used in combination with SUBITO® or plug gauges OD or similar bore gauges as well as for depth and thickness measurements (as an option). delivery without dial gauge

MEASURING STAND OSM 5 HG HARD STONE

as OSM 5 standard, however the table is out of hard stone. High wear resistance and corrosion-resistant.

MEASURING STAND OSM 6

Height continuously adjustable up to 130 mm. Working stroke of the table max. 40 mm, suitable for workpieces up to Ø 144 mm.

MEASURING STAND

model	Code
OSM 5	629 00015
OSM 5 HG	629 00000
OSM 6	629 00016

ACCESSORIES OSM 5

designation	Code
floating workpiece support for self-alignment of small workpieces	629 00001
floating gauge block holder to ease the exact setting with gauge blocks from 1 - 20 mm	629 00002
floating holder with clamping shaft, for integrating the OSIMESS holder or OD holder or for the use in fixtures	629 00003
measuring travel limitation for OSIMESS holder with retraction	629 00011



measuring stand OSM 5 with OSIMESS probe



measuring stand OSM 6



floating holder

Setting Rings

ACCORDING TO DIN 2250

Ideal for setting of OD plug gauges and of SUBITO® measuring gauges. Setting rings made of hardened 62 HRC steel, according to DIN 2250. Tolerance of diameter is JS4. The rings are marked with their actual size (up to 1 µm).

SETTING RINGS

	Code
setting rings Ø 1-20 mm see series 625-628 OSIMESS	
setting rings type C Ø 1 - 300	
setting rings type B - for pneumatic plug gauges	on inquiry
setting rings for tapers	
setting rings for toothings	
setting rings more accurate than JS4	

SERIES 129



setting rings according to DIN 2250