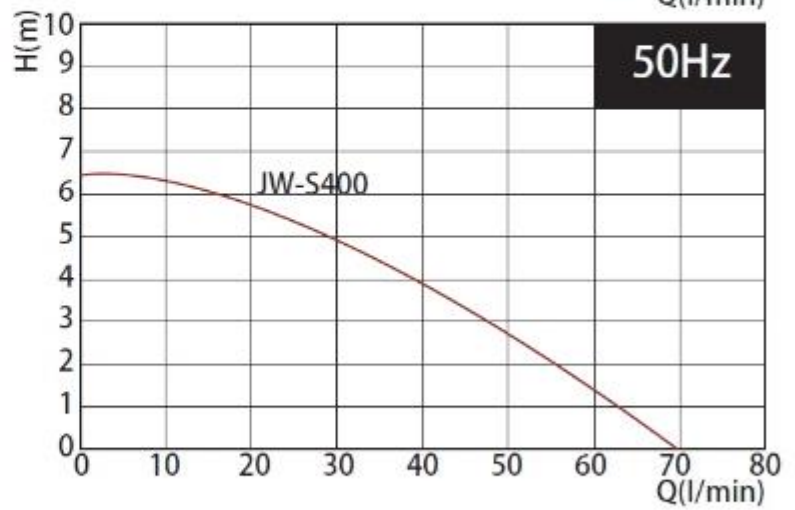
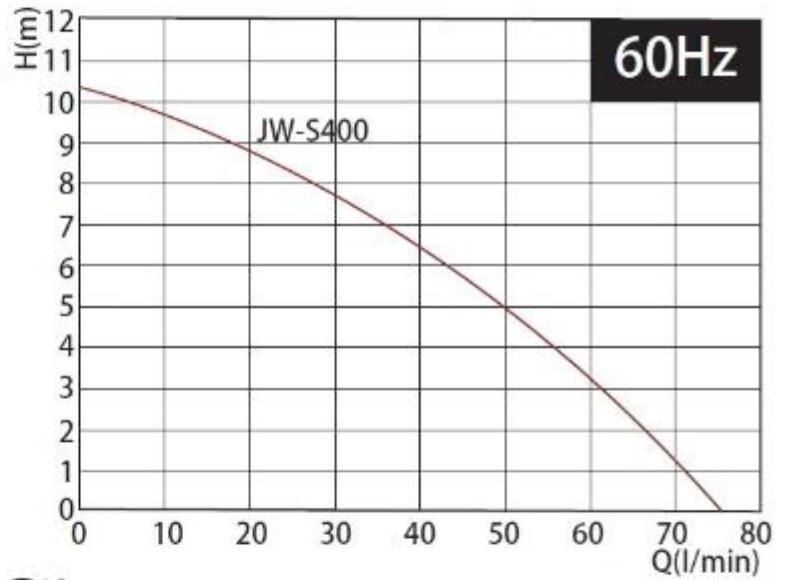
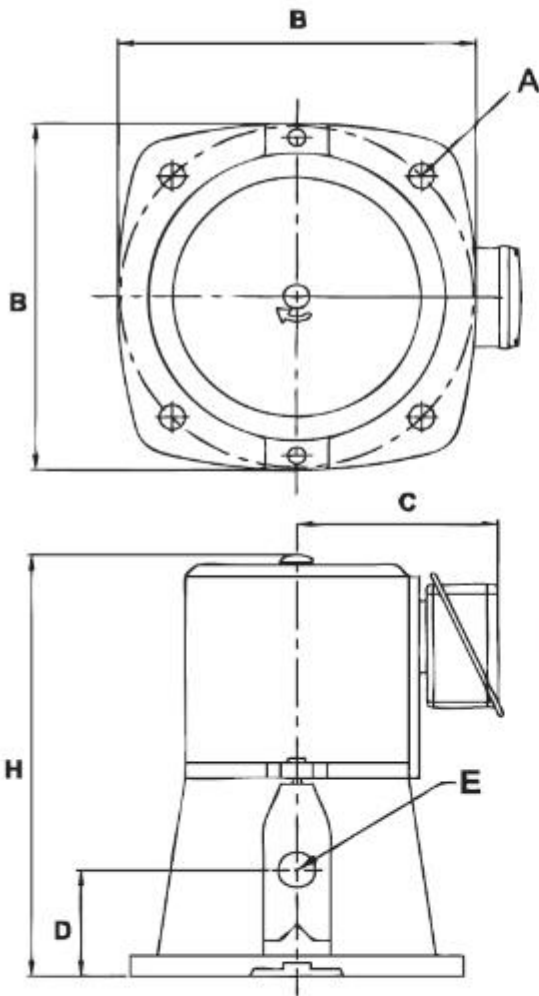




## JW-S400

Motor Casing	Cast iron
Pump Casing	Cast iron
Shaft	Carbon steel
Impeller	Polyoxymethylene / Aluminum alloy
Mechanical Seal	

\*Photo shows JW-S400



## Products Data Sheet :

Type	Power	A	B	C	D	E	H	Weight
	HP	mm	mm	mm	mm	PT	mm	Kg
JW-S400	1/4HP / 0.186KW	4XØ8 PCD185	225	125	65	1/2"/ 3/4"	240	15

## Application :

Self-Priming Type Centrifugal Pumps function to dissipate the heat from cutting edges and work piece. Our pumps could be found using in various machines like Drilling, Grinding, Turning, Milling, Cutting, Slitting and many others.

## Pump Construction :

The pump is one-chamber vertical centrifugal pump, co-axial pump/motor design, impellers mounted on extended motor shaft.

## Motor :

Frequency range : 50/60 Hz

Nominal speed : 2850/3450

Pole : 2P

Standard voltages :

1Ø 50/60Hz : 100-120V/200-240V

3Ø 50Hz : 200-255V/380-440V

3Ø 60Hz : 200-255V/380-480V

3Ø 60Hz : 575V

Protection class : IP54

Insulation class : F

## Operation Conditions :

Ambient temperature : 0°C~+50°C

Liquid temperature range : 0°C~+90°C

Operating pressure : Max. 10 kg/cm<sup>2</sup>